

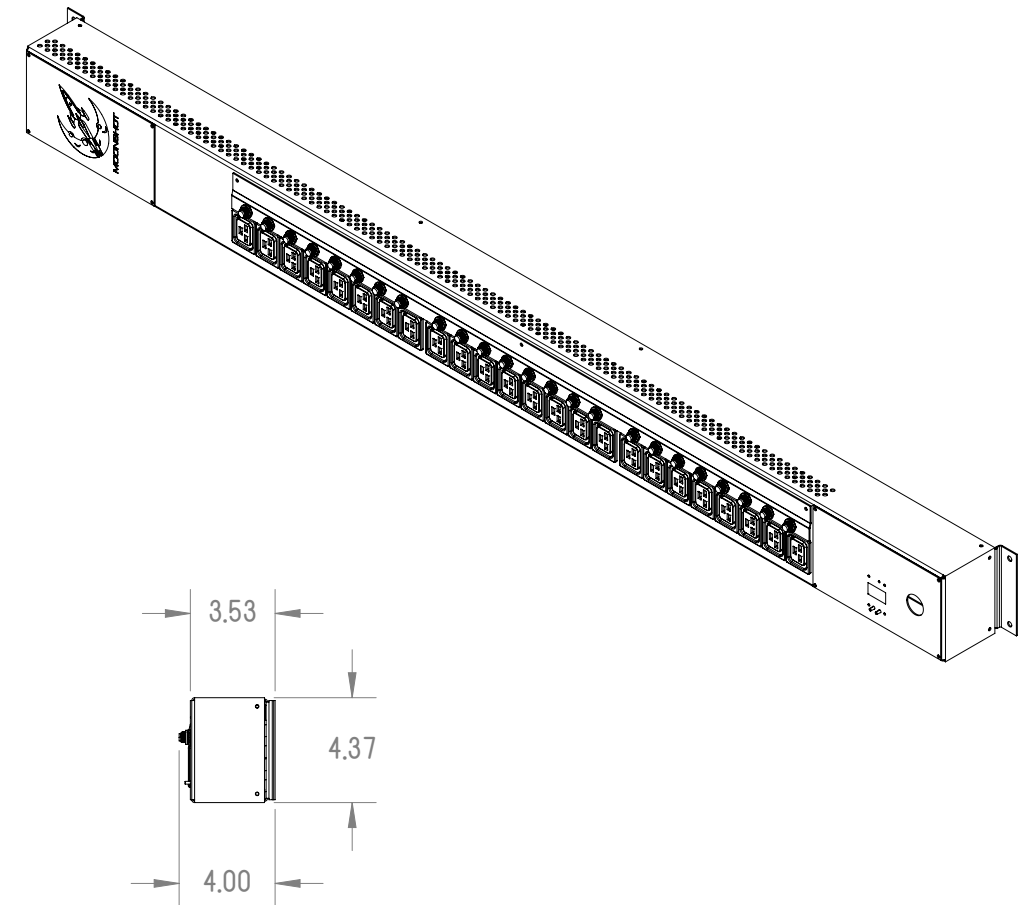
DETAIL A  
SCALE 1 : 6  
(SHOWN WITH WIRING COVER REMOVED)



MOONSHOT

**PROPRIETARY AND CONFIDENTIAL**  
THE INFORMATION CONTAINED IN THIS DRAWING IS THE SOLE PROPERTY OF MOONSHOT PODS LLC. ANY REPRODUCTION IN PART OR AS A WHOLE WITHOUT THE WRITTEN PERMISSION OF MOONSHOT PODS LLC IS PROHIBITED.

	MOONSHOT PART NUMBER	ETL PART NUMBER	OUTLET COUNT	OUTLET CURRENT PROTECTION
LEVIATHAN	MS-PDU-D24L	700-015	24	20A
	MS-PDU-D24L-30	700-016	24	30A
LEVIATHAN S	MS-PDU-S24L	700-018	24	20A
	MS-PDU-S24L-30	700-019	24	30A



UNLESS OTHERWISE SPECIFIED:		NAME	DATE
DIMENSIONS ARE IN INCHES		DRAWN	AJP 10/17/2022
TOLERANCES:		CHECKED	
FRACTIONAL ± 1/16		ENG APPR.	
ANGULAR: MACH ± 1° BEND ± 1°		MFG APPR.	
TWO PLACE DECIMAL ± .030		Q.A.	
THREE PLACE DECIMAL ± .005		COMMENTS:	
INTERPRET GEOMETRIC TOLERANCING PER:			
MATERIAL			
FINISH			
PAINTED			
DO NOT SCALE DRAWING			
NEXT ASSY	USED ON		
APPLICATION			

TITLE:  
**24 PORT PDU  
MECHANICAL  
DRAWINGS**

SIZE <b>B</b>	DWG. NO. MS-PDU-(D or S)24L	REV <b>X4</b>
SCALE: 1:8	WEIGHT:	SHEET 1 OF 1